

Fig. 17-45. Isometric and oblique sketching problems. Using Layout B in Appendix, divided into two parts as in Figs. 17-42 and 17-43, sketch problems in isometric or oblique as assigned. Each square =  $\frac{1}{4}$ ".

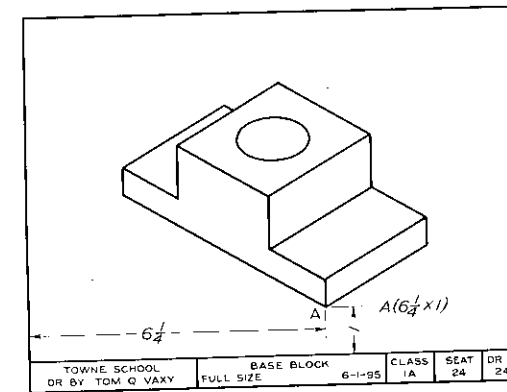


Fig. 17-46. Isometric problem.

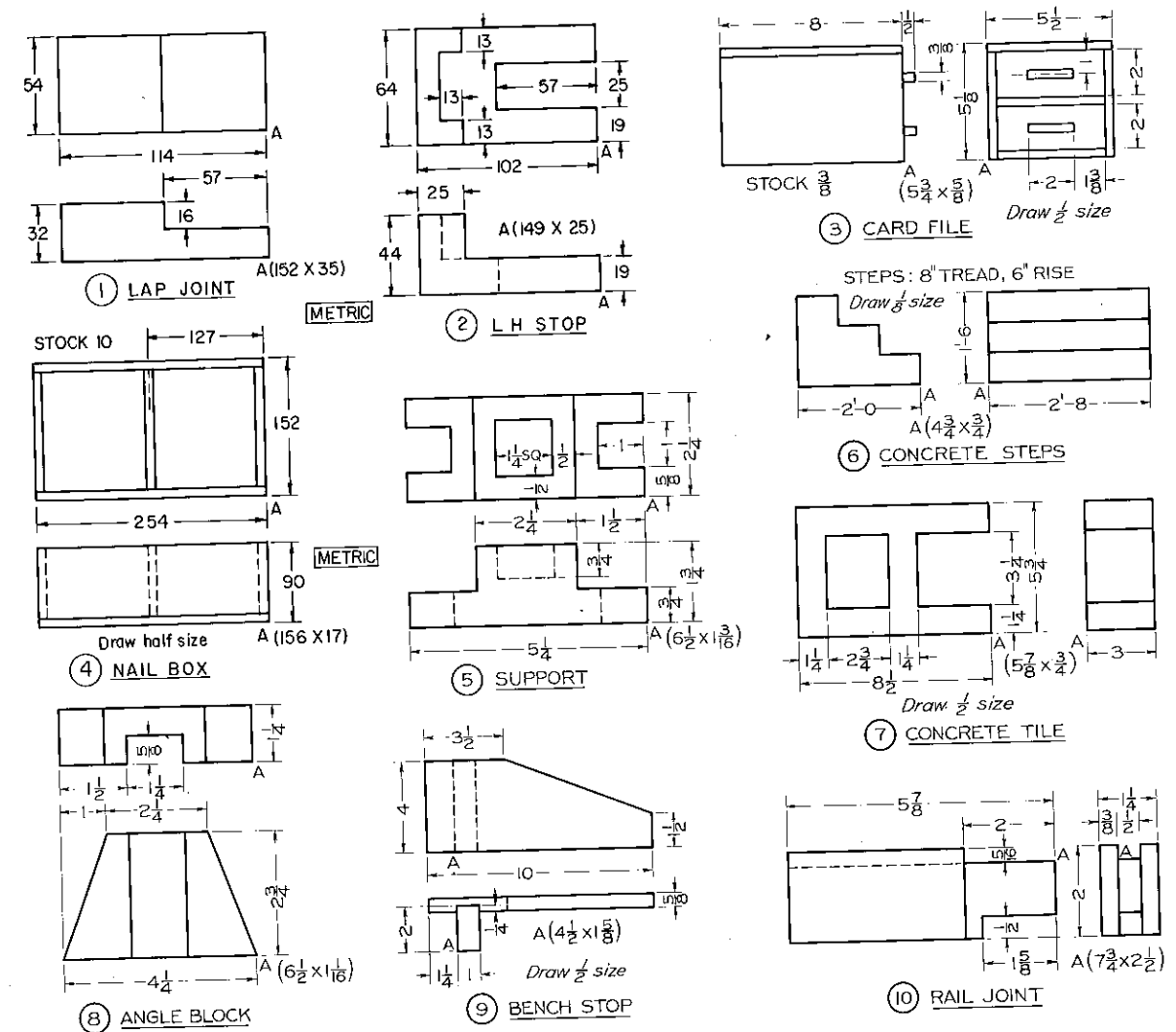


Fig. 17-47. Isometric problems. Locate starting corners A as explained at the beginning of this Problems section. Move titles to title strip and omit dimensions unless assigned.